

## PVR-P16-2VC



### 16 Channel Penta-brid 1080P Digital Video Recorder



#### Features

- H.265+/H.265 dual-stream video compression
- Supports HDCVI/AHD/TVI/CVBS/IP video inputs
- Max 24 channels IP camera inputs, each channel up to 6MP; Max 96Mbps Incoming Bandwidth
- Smart Search and Intelligent Video System

#### Coaxial Audio/Upgrade/Alarm

The integrated design can reduce wiring troubles which makes it much more cost-effective and convenient for installation.

#### POS Functionality

This function includes POS ticket information overlay and search which can be widely used in retail programs.

#### Long Distance Transmission

The HDCVI system supports long distance transmission over coaxial cable and UTP, max. 700m for 4K/4MP, 800m for 1080P and 1200m for 720P.

#### Smart Fan Design

The smart fan can automatically turn on or turn off according to the CPU temperature. This function can effectively reduce the fan noise to provide a better user experience while extending the life of the fan at the same time.

#### Intelligent Video System (IVS)

With built-in intelligent video analytics, the DVR has the ability to detect and analyze moving objects for improved video surveillance. The DVR provides optional standard intelligence at the edge allowing detection of multiple object behaviors such as abandoned or missing objects. IVS also supports Tripwire analytics, allowing the camera to detect when a predetermined line has been crossed.

#### Face Detection

It is a type technology being used in a variety of applications that search or identify individuals which show front cameras.

#### Smart Search

This function helps you get more motion detect video during a short time through drawing a region when playback. It is very useful when an emergency occurs.

#### System Overview

With the surveillance operators pursuing to HD/UHD which further adds the storage and transmission cost, HDCVI H.265+/H.265 has been released to incredibly decrease the required bitrate while ensuring the video quality in realizing high resolution surveillance such as 4MP/4K.

This Series is designed for high cost performance and quality. The range offers a great solution for users facing budget constraints who both require quality and performance. And with the adoption of Smart H.265+/H.265, the series improves encoding efficiency, saving on bandwidth/storage costs, and significantly reducing the Total Cost of Ownership (TCO).

#### Functions

##### Smart H.265+

Smart Codec, H.265+ can reduce up to 90% bit rate and storage requirements compared with H.264 without having to invest in new cameras.

##### HDCVI/AHD/TVI/CVBS/IP Auto-detect

The DVR can auto recognize the signal of front-camera without any setting. It makes operation more friendly and convenient.

##### UHD Camera Input

This series supports up to 4MP HDCVI camera and 6MP IP camera input.



## PVR-P16-2VC



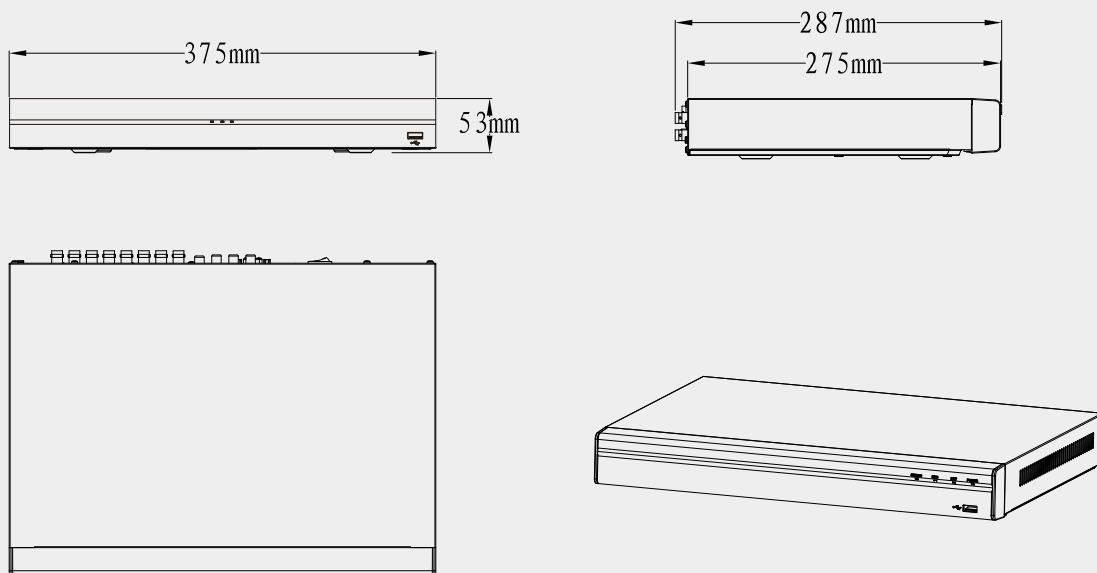
Technical Specification	
System	
Main Processor	Embedded Processor
Operating System	Embedded LINUX
Video and Audio	
Analog Camera Input	16 Channel, BNC
HDCVI Camera	4MP, 1080P@25/30fps, 720P@50/60fps, 720P@25/30fps
AHD Camera	4MP, 1080P@25/30, 720P@25/30fps
TVI Camera	4MP, 1080P@25/30, 720P@25/30fps
CVBS Camera	PAL/NTSC
IP Camera Input	16+8 Channel, each channel up to 6MP
Audio In/Out	1/1, RCA
Two-way Talk	Reuse audio in/out, RCA
Recording	
Compression	H.265+/H.265/H.264+/H.264
Resolution	4M-N, 1080P, 1080N, 720P, 960H, D1, CIF
Record Rate	Main stream: 4M-N/1080P(1~15fps); 1080N/720P/960H/D1/CIF (1~25/30fps) Sub stream: D1/CIF(1~15fps)
Bit Rate	32Kbps ~ 6144Kbps Per Channel
Record Mode	Manual, Schedule (General, Continuous), MD (Video detection: Motion Detection, Video Loss, Tampering), Alarm, Stop
Record Interval	1 ~ 60 min (default: 60 min), Pre-record: 1 ~ 30 sec, Post-record: 10 ~ 300 sec
Audio Compression	AAC(only for the 1st channel), G.711A, G.711U, PCM
Audio Sample Rate	8KHz, 16 bit Per Channel
Audio Bit Rate	64Kbps Per Channel
Display	
Interface	1 HDMI, 1 VGA
Resolution	1920x1080, 1280x1024, 1280x720
Multi-screen Display	When IP extension mode not enabled: 1/4/8/9/16 When IP extension mode enabled: 1/4/8/9/16/25
OSD	Camera title, Time, Video loss, Camera lock, Motion detection, Recording
Network	
Interface	1 RJ-45 Port (1000M)
Network Function	HTTP, HTTPS, TCP/IP, IPv4/IPv6, Wi-Fi, 3G/4G, UPnP, RTSP, UDP, SMTP, NTP, DHCP, DNS, IP Filter, PPPoE, DDNS, FTP, Alarm Server, P2P, IP Search
Max. User Access	128 users
Smart Phone	iPhone, iPad, Android
Interoperability	ONVIF 16.12, CGI Conformant

Video Detection and Alarm	
Trigger Events	Recording, PTZ, Tour, Video Push, Email, FTP, Snapshot, Buzzer and Screen Tips
Video Detection	Motion Detection, MD Zones: 396 (22 × 18), Video Loss, Tampering and Diagnosis
Alarm input	N/A
Relay Output	N/A
Playback and Backup	
Playback	1/4/9/16
Search Mode	Time /Date, Alarm, MD and Exact Search (accurate to second)
Playback Function	Play, Pause, Stop, Rewind, Fast play, Slow Play, Next File, Previous File, Next Camera, Previous Camera, Full Screen, Repeat, Shuffle, Backup Selection, Digital Zoom
Backup Mode	USB Device/Network
Storage	
Internal HDD	2 SATA Ports, up to 10TB capacity
eSATA	N/A
Auxiliary Interface	
USB	1 USB 2.0, 1 USB 3.0
RS232	N/A
RS485	1 Port, for PTZ Control
Electrical	
Power Supply	DC12V/4A
Power Consumption (without HDD)	<15W
Construction	
Device Dimensions	1U, 375mm×287mm×53mm (14.8" x 11.3" x 2.1")
Device with PFH101 Rack Mount Tray	483mm×281mm×56mm (19.0"×11.1"×2.2")
Net Weight (without HDD)	1.6kg (3.5 lb)
Gross Weight	3.0kg (6.6 lb)
Installation	Desktop installation
Environmental	
Operating Conditions	-10°C ~ +55°C (+14°F ~ +131°F), 10%~ 90% RH
Storage Conditions	-20°C ~ +70°C (-4°F ~ +158°F), 0~ 90% RH
Third-party Support	
Third-party Support	Dahua, Arecont Vision, AXIS, Bosch, Brickcom, Canon, CP Plus, Dynacolor, Honeywell, Panasonic, Pelco, Samsung, Sanyo, Sony, Videotec, Vivotek, and more
Certifications	
Certifications	FCC: Part 15 Subpart B
	CE: CE-LVD: EN 60950-1/IEC 60950-1 CE-EMC: EN 61000-3-2, EN 61000-3-3, EN 55032, EN 50130, EN 55024
	UL: UL 60950-1

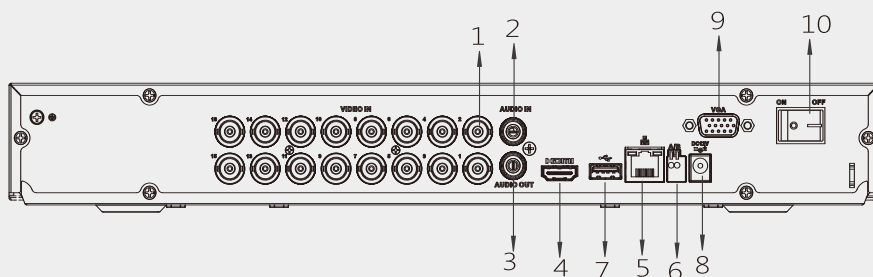
## PVR-P16-2VC



### Dimensions(mm)



### Rear Panel



1	VIDEO IN	6	RS485 Interface
2	AUDIO IN, RCA Connector	7	USB Interface
3	AUDIO OUT, RCA Connector	8	DC 12V Power Input
4	HDMI Interface	9	VGA Interface
5	Network Interface	10	Power Switch