

MCVR-P4-1VA-G/G3/G3W/G4/G4W



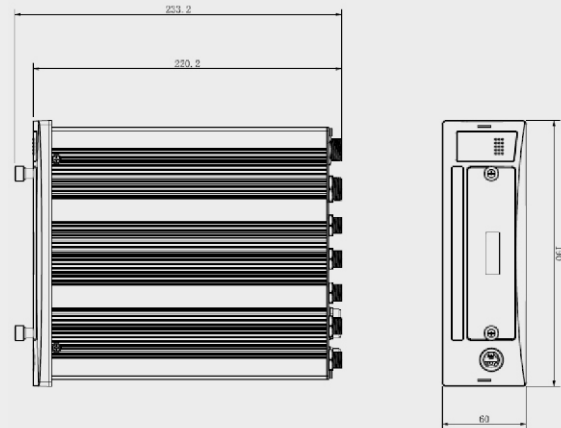
4 Channel Mobile HD-COAX Video Recorder



Features

- Support HDCVI/Analog Video input
- H.264 dual-stream video compression
- Support 2 ch 1080P+2 ch 720P realtime recording
- VGA/TV simultaneous video output
- Support 1 SATA HDD, 2 USB2.0
- Aviation connectors adopted
- Multiple monitoring: Web viewer, Unisight VMS

Dimensions(mm)



System Overview

This device is the first mobile video recorder which adopts the HD-COAX technology, it can support 1080P high-definition real-time recording, it can support real-time vehicle location tracking and monitoring, and all the information such as GPS and video can be uploaded by wireless network: 3G/4G/WIFI. This device can also support to connect various accessories, such as card reader, fuel sensor, emergency button. It has already passed EN50155/ISO16750 in order to meet the requirements of mobile use. This device can be used in kinds of solutions for different applications, such as city bus/school bus/taxi/police car/train/truck.

Functions

Anti-vibration

Using shock-absorbing material and structure, the new designed hard disk box can cope with varying degrees of vibration, keeping the system work normally all the time.

3G/4G/WIFI

Embedded with 3G/4G/WIFI module, the device can register into a public network to connect with VMS, and can send all the information (video/audio/alarm/gps) through wireless network.

Multiple ports

With kinds of ports, like CAN, RS232, RS485, I/O, the video recorder can connect with various accessories, such as card reader, fuel sensor, panic button and so on. system, so that the video, audio, alarm and location information can be uploaded.

Wide range of power supply

As the voltage output of vehicle battery changes during driving, the wide range of power supply can protect the device.

GPS

Embedded GPS module can receive location information and upload to VMS, and the vehicle can be tracked on the electric map of VMS.

MCVR-P4-1VA-G/G3/G3W/G4/G4W



Technical Specification	
System	
Main Processor	Embedded microprocessor
Operating System	Embedded LINUX
Audio and Video	
Input	4 Channel (Don't support audio in when connecting analog cameras)
Two-way Talk	1 Channel Input, 1 Channel Output, RCA
Display	
Interface	1VGA, 2TV
Resolution	1920×1080, 1280×1024, 1280×720, 1024×768, 800×600
Display Split	1/4
Privacy Masking	4 rectangular zones (each camera)
OSD	Camera title, Time, Video loss, Camera lock, Motion detection, Recording
Recording	
Video/Audio Compression	H.264/G.711
Resolution	2ch@1080P+2ch@720P(1~25/30fps)
Bit Rate	48~8192Kb/s
Record Mode	Manual, Schedule(Regular(Continuous), MD, Alarm), Stop
Record Interval	1~120 min (default: 60 min), Pre-record: 1~30 sec, Post-record: 10~300 sec
Video Detection and Alarm	
Trigger Events	Recording, PTZ, Tour, Alarm, Email, FTP, Buzzer & Screen tips
Video Detection	Motion Detection, MD Zones: 396(22×18), Video Loss & Camera Blank
Alarm input	7 channel
Relay Output	2 channel
Playback and Backup	
Playback	1
Search Mode	Time/Date, Alarm, Motion Detection & Exact search (accurate to second)
Playback Function	Play, Pause, Stop, Rewind, Fast play, Slow play, Next file, Previous file, Next camera, Previous camera, Full screen, Repeat, Shuffle, Backup selection, Digital zoom
Backup Mode	USB Device/Network
Storage	
Internal HDD	1 SATA Ports, Up to 2 TB capacity
SD card	1 SD card, Up to 128 GB

Network	
Ethernet	RJ-45 Port (10/100Mbps)
Wireless Network	Built-in 3G/4G/Wi-Fi module(optional)
GPS	Built-in high accurate GPS module(optional)
Network Function	TCP/IP, UDP, DHCP, DDNS, FTP, Email, Alarm Server
Max. User Access	128 users
Smart Phone	iPhone, iPad, Android
Auxiliary Interface	
USB	2 Ports (1 rear), USB 2.0
RS232	1 Port, for PC Communication and Keyboard
RS485	1 Port, for PTZ Control
CAN	Support
Heater	Optional
Electrical	
Power Supply	DC 6V~36V
Power Consumption	<15W (Without HDD)
Environmental	
Operating Conditions	-30°C (with heater)~ +60°C (+14°F ~ +131°F)
Storage Conditions	-30°C ~ +70°C (-4°F ~ +158°F), 0 ~ 90% RH
Construction	
Dimensions	178mm×220mm×50mm (7.0" x 8.7" x 2.0")
Net Weight	2.1kg (4.6 lb) (without HDD)
Certifications	
CE	FCC
EN50155	ISO16750