

## IP-2EDM-F36-PA



### 2MP HD Recessed Mount Dome Network Camera



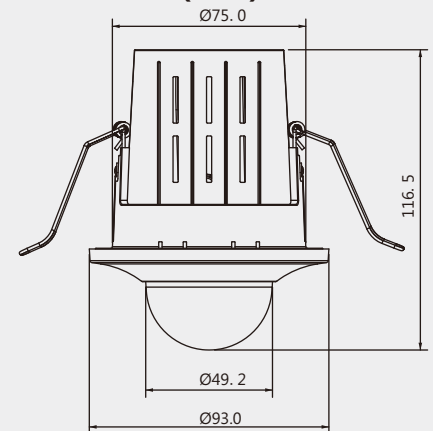
### System Overview

This series by upgrading H.265 encoding technology, bringing high efficient video compression. It saves bandwidth and storage, energy-saving design to enhance the monitoring system. Meanwhile, the series offers features such as starlight, Smart IR technology, intelligent image analysis techniques. It provides excellent image quality and intelligent and efficient event reminders. This series provides IP67 weatherproof and IK10 vandal-proof protection feature. Give customers more value.

### Features

- 1/2.8" 2Megapixel progressive Starvis™ CMOS
- H.265&H.264 triple-stream encoding
- 50/60fps@1080P(1920×1080)
- Smart Detection supported
- WDR(120dB), Day/Night(ICR), 3DNR, AWB, AGC, BLC
- Multiple network monitoring: Web viewer, Unisight VMS
- 3.6mm fixed lens
- Built-in Mic
- Micro SD memory, IK08, PoE

### Dimensions(mm)



### Functions

#### Wide Dynamic Range

Embedded with industry leading wide dynamic range (WDR) technology, vivid pictures are achieved even in the most intense contrast lighting conditions. For applications with both bright and low lighting conditions that change quickly, True WDR (120dB) optimizes both the bright and dark areas of a scene at the same time to provide usable video.

#### Intelligent Video System (IVS)

The camera is equipped with a built-in intelligent analytic algorithm based on video, which can realize intelligent functions like Tripwire, Intrusion, Abandoned, Missing and so on, to quickly and accurately respond to monitoring events in specific area. It can enhance monitoring efficiency. At the same time, the camera can support face detection, which can quickly capture a face and upload the image to server. In addition, the camera supports intelligent tamper detection, which is to generate warning message via detecting dramatic scene change and to guarantee effective video surveillance.

#### Environmental

With a temperature range of -10 °C to +45 °C (14 °F to +113 °F), the camera is designed for soft indoor temperature environments.

#### Protection

Supporting ±30% input voltage tolerance, this camera suits even the most unstable conditions for outdoor applications. Its 6KV lightning rating provides protection against the camera and its structure from the effects of lightning. IK08 compliance enables the camera to sustain the equivalent of 14 kg (30lbs) force.

#### Smart H.265+

Deliver high quality video without straining the network, Smart H.265+ is the optimized implementation of H.265. The Smart H.265+ encoding technology includes a scene adaptive encoding strategy, dynamic GOP, dynamic ROI, flexible multi-frame reference structure and intelligent noise reduction, providing saving of up to 70% of bandwidth and storage when compared with standard H.265.

#### HEVC (H.265)

H.265 ITU-T VCEG is a new video coding standard. H.265 Following standard developed around the existing video coding standard H.264, some retain the original technology, while some of the relevant technology to improve the new technology uses advanced technology to improve the relationship between the code stream, encoding quality, and the delay between algorithm complexity, optimize settings specific contents include: Improve compression efficiency, improve the robustness and error recovery capabilities, real-time to reduce the delay, reduce channel acquisition time and a random access delay, reduce complexity, etc.





## IP-2EDM-F36-PA

Technical Specification					
Camera					
Image Sensor	1/2.8" 2Megapixel progressive CMOS				
Effective Pixels	1920(H)x1080(V)				
RAM/ROM	256MB/32MB				
Scanning System	Progressive				
Electronic Shutter Speed	Auto/Manual, 1/3(4)~1/100000s				
Minimum Illumination	0.009Lux/F2.0( Color,1/3s,30IRE) 0.07Lux/2.0( Color,1/30s,30IRE) 0.005Lux/F2.0( B/W,1/3s,30IRE) 0.03Lux/2.0( B/W,1/30s,30IRE)				
S/N Ratio	More than 50dB				
IR Distance	N/A				
IR On/Off Control	N/A				
IR LEDs	N/A				
Lens					
Lens Type	Fixed				
Mount Type	Board-in				
Focal Length	3.6 mm				
Max. Aperture	F2.0 (F2.0)				
Angle of View	H: 110° (86°) , V: 60° (45°)				
Optical Zoom	N/A				
Focus Control	Fixed				
Close Focus Distance	N/A				
	Lens	Detect	Observe	Recognize	Identify
DORI Distance	2.8 mm	44m(144ft)	17m(56ft)	9m(30ft)	4m(13ft)
	3.6 mm	55m(180ft)	22m(72ft)	11m(36ft)	6m(20ft)
Pan/Tilt/Rotation					
Pan/Tilt/Rotation Range	Pan:0°~360°; Tilt:0°~90°; Rotation:0°~360°				
Intelligence					
IVS	Tripwire, Intrusion, Object Abandoned/Missing				
Advanced Intelligent Functions	Face Detection				
Video					
Compression	H.265+/H.265/H.264+/H.264				
Streaming Capability	3 Streams				
Resolution	1080P(1920x1080)/SXGA(1280x1024)/1.3M(1280x960)/720P(1280x720)/D1(704x576/704x480)/VGA(640x480)CIF(352x288/352x240)				
Frame Rate	Main Stream:1080P(1~50/60fps)				
	Sub Stream: D1(1~50/60fps)				
	Third Stream:720P(1~50/60fps)				
Bit Rate Control	CBR/VBR				
Bit Rate	H.265:12K ~ 6912Kbps H.264:32K ~ 10240Kbps				
Day/Night	Electronic				
BLC Mode	BLC / HLC / WDR(120dB)				

White Balance	Auto/Natural/Street Lamp/Outdoor/Manual
Gain Control	Auto/Manual
Noise Reduction	3D DNR
Motion Detetion	Off / On (4 Zone, Rectangle)
Region of Interest	Off / On (4 Zone)
Electronic ImageStabilization (EIS)	N/A
Smart IR	N/A
Defog	N/A
Digital Zoom	16x
Flip	0°/90°/180°/270°
Mirror	Off / On
Privacy Masking	Off / On (4 Area, Rectangle)
Audio	
Compression	G.711a/ G.711Mu/ AAC/ G.726
Network	
Ethernet	RJ-45 (10/100Base-T)
Protocol	HTTP; HTTPS; TCP; ARP; RTSP; RTP; UDP; SMTP; FTP; DHCP; DNS; DDNS; PPPOE; IPv4/v6; QoS; UPnP;NTP; Bonjour; 802.1x; Multicast; ICMP; IGMP; SNMP
Interoperability	ONVIF, PSIA, CGI
Streaming Method	Unicast / Multicast
Max. User Access	20 Users
Edge Storage	NAS Local PC for instant recording Mirco SD card 128GB
Web Viewer	IE, Chrome, Firefox, Safari
Management Software	Unisight VMS
Smart Phone	IOS, Android
Certifications	
Certifications	CE (EN 60950:2000) FCC: FCC Part 15 Subpart B
Interface	
Video Interface	N/A
Audio Interface	Built-in Mic
RS485	N/A
Alarm	N/A
Electrical	
Power Supply	DC12V, PoE (802.3af)(Class 0)
Power Consumption	<3.5W



## IP-2EDM-F36-PA

### Environmental

Operating Conditions	-10° C ~ +45° C (14° F ~ +113° F) / Less than 95% RH
Storage Conditions	-10° C ~ +45° C (14° F ~ +113° F) / Less than 95% RH
Ingress Protection	N/A
Vandal Resistance	IK08

### Construction

Casing	Plastic
Dimensions	Φ93mm×116.5mm (3.65"×4.58")
Net Weight	0.225Kg (0.50lb)
Gross Weight	0.37Kg (0.82lb)

### Accessories

